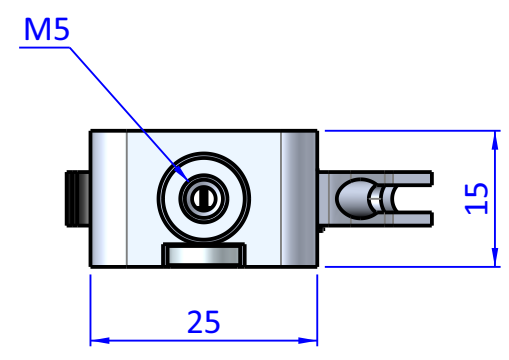
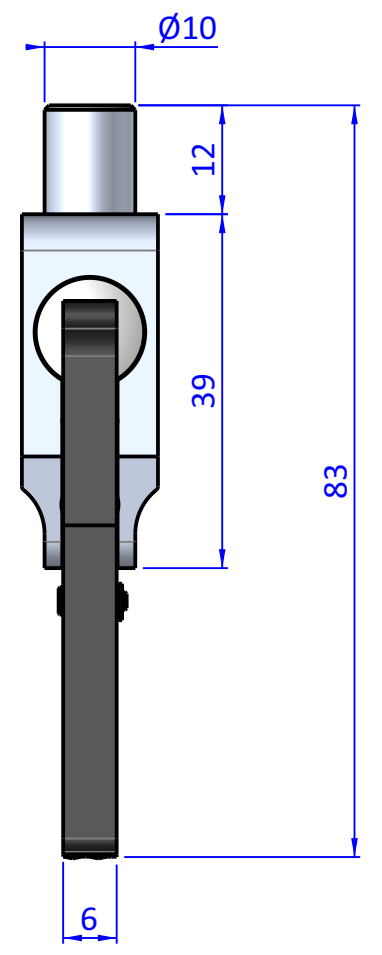
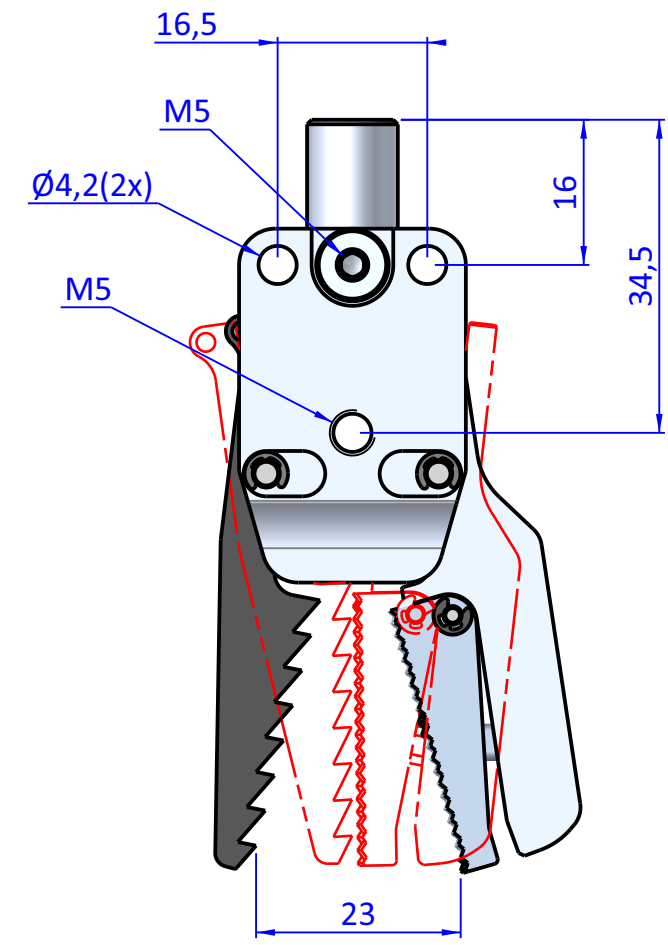
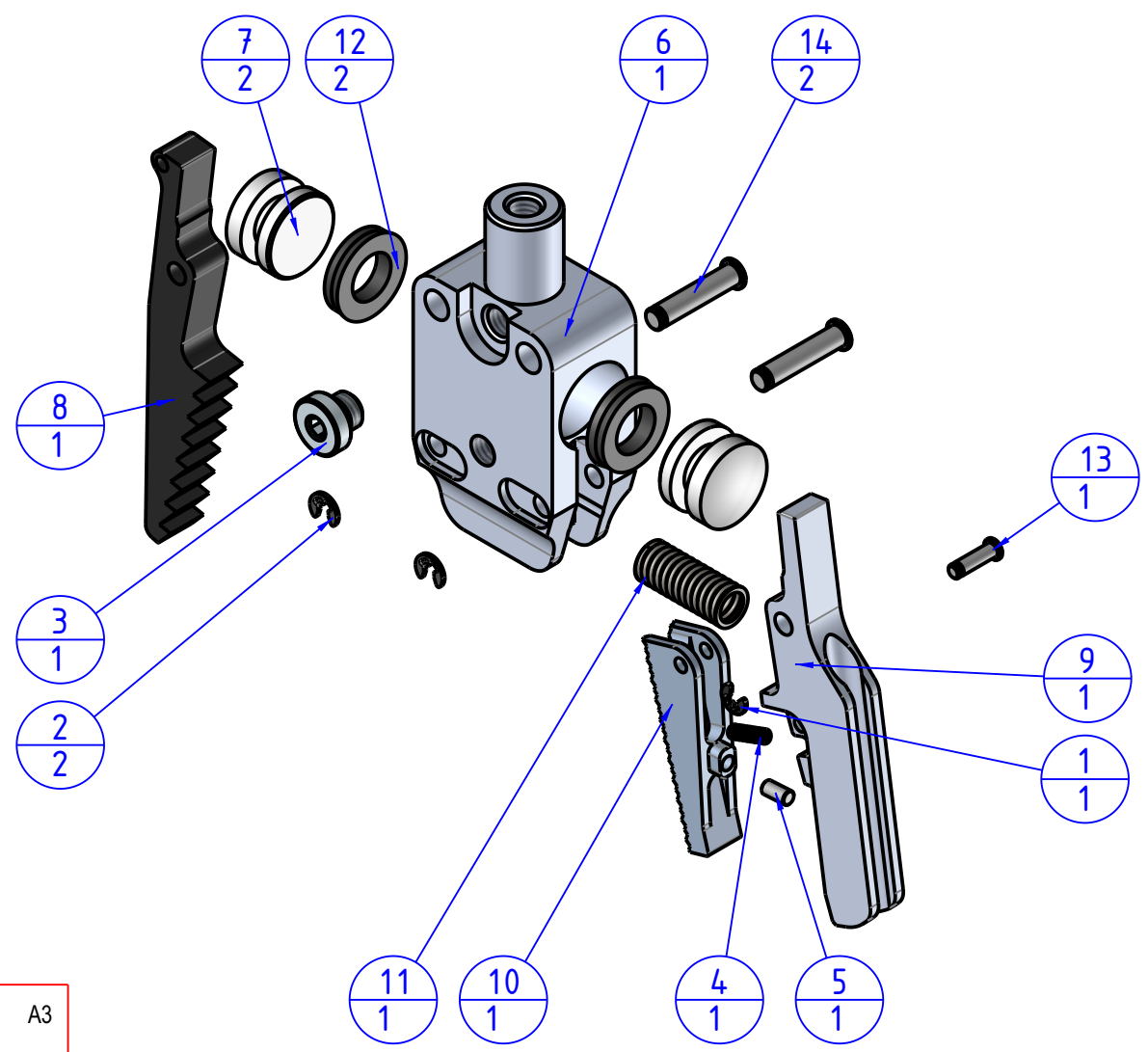



THE PROPERTY OF THE DRAWING IS ESTABLISHED BY LAW. IT IS FORBIDDEN TO PRODUCE OR SHOW IT TO THIRD PART. WITHOUT A WRITTEN AGREEMENT.

Item	Name	Q.ty
1	A.ELA.RA1.5	1
2	A.ELA.RA1.9	2
3	CA.08.14.013	1
4	DIM.D10620	1
5	GZA.10.08.9	1
6	GZA.10.12.1.L.01	1
7	GZA.10.12.2	2
8	GZA.10.12.19	1
9	GZA.10.12.303	1
10	GZA.10.12.304	1
11	M.6x25.SH	1
12	PSP.1269255	2
13	SP.2x7.5SS	1
14	SP.3x15SS	2



Format A3
UNI 936-76

 FPS SERVICES AUTOMATION		DESIGNED FROM FPS Automation		REVIEW A
		DATE 20/07/2023	WEIGHT 0,047kg	
GENERAL TOLERANCE UNI - ISO 2768 CLASSE f	DESCRIPTION CA.GZA.10.12.S9		CODE CA.GZA.10.12.901	